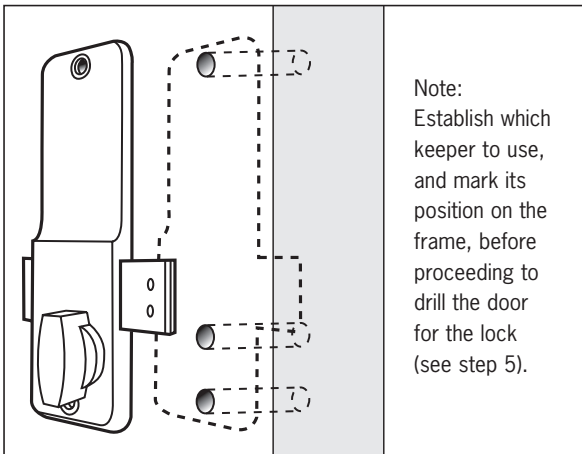


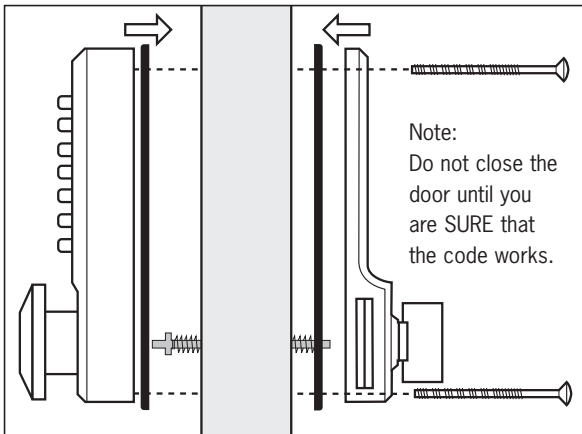
3 POSITIONING THE LOCK



Note:
Establish which keeper to use, and mark its position on the frame, before proceeding to drill the door for the lock (see step 5).

- Remove the inside cover plate from the back plate, and install the deadbolt according to the hand of your door. Note that the standard bolt projects 40mm to the locking side. A shorter bolt which projects 20mm is available.
- Set the back plate with the knob in the vertical position and hold it to the door with one end of the bolt against the frame where the keeper will be fitted (see step 5).
- Mark the position of the top fixing hole, and then using one of the packing pieces as a template mark the position of the lower fixing hole and the hole for the spindle. Drill 8mm holes for fixing bolts and 13mm hole for spindle.

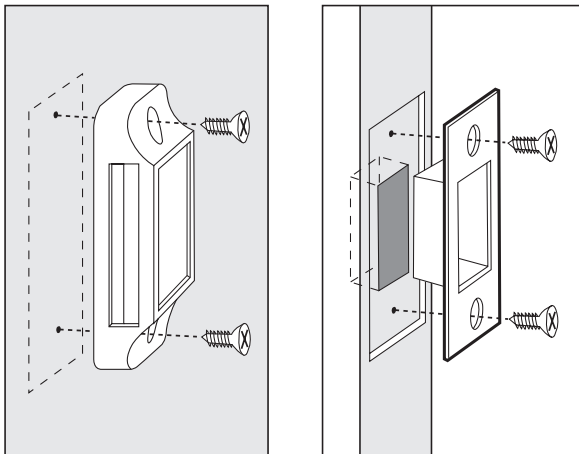
4 FIXING THE LOCK



Note:
Do not close the door until you are SURE that the code works.

- The spring loaded spindle will fit doors between 35mm and 65mm thick. For doors less than 50mm thick break off the 15mm section at the end of the spindle. For doors more than 65mm thick ring the helpline for advice. The spring keeps the spindle firmly engaged in the outside handle when the lock is assembled on the door.
- Cut the fixing bolts to suit the door thickness, allowing for the rubber seals and at least one threaded section to screw into the lock case.
Note that the bottom fixing bolt will be longer than the top.
- Hold the lock case and the back plate, with the neoprene seals in place, onto the door with the spindle in position. Using the top fixing bolt first screw everything together.

5 FITTING THE KEEPER



Surface Keeper
fig. 5.1

Mortice Keeper
fig. 5.2

- First select the appropriate keeper for your frame.
- Position the keeper on the frame so that it lines up with the deadbolt and mark the appropriate holes.
- If you are using the Surface Keeper simply screw into place (see fig. 5.1). Use the packing pieces as required.
- The Mortice Keeper will require cutting a small recess (see fig. 5.2).

PUSHbutton

INSTALLATION INSTRUCTIONS

Surface Deadbolts & Key Override Versions

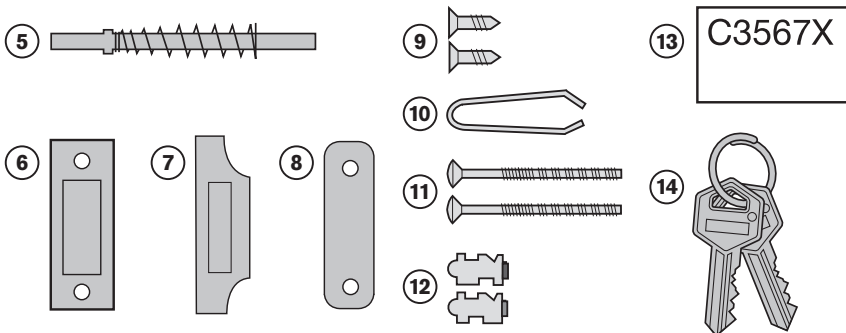
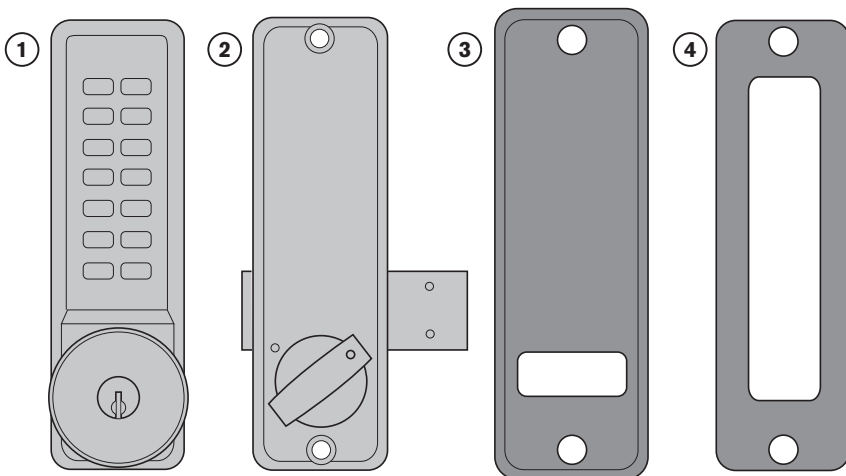
Freephone Helpline:
0800 393 405



Codelocks Ltd
Tel: 01635 268029
Fax: 01635 268031
sales@codelocks.co.uk
www.codelocks.co.uk



CONTENTS



1. Front plate – key override option shown
2. Back plate – bolt is packed separately
3. Neoprene seals x2
4. Packing pieces x2 (for back plate only)
5. Spring loaded spindle
6. Mortice keeper
7. Surface keeper
8. Surface keeper packing pieces x1
9. Wood screws x2 (to use with keeper)
10. Tweezers
11. Fixing bolts 3 supplied (spare x1)
12. Tumblers (spare x2)
13. Code card
14. 2 keys – key override options only

Tools required for installation

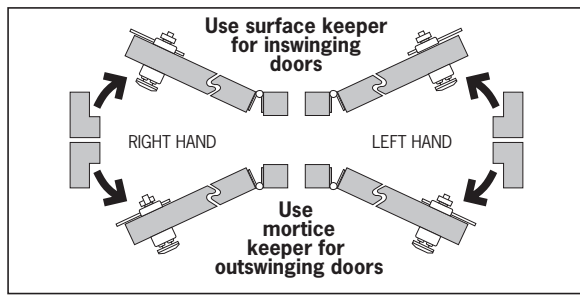
- Power drill
- 8mm & 13mm drill bits
- Bradawl
- Philips screw driver size 2
- Chisel (maximum 15mm)
- Hammer/Mallet
- Stanley knife
- Pencil
- Tape measure

SPECIAL NOTES

Before commencing installation check that all parts are working correctly. Press the code according to the code card and the knob should then turn, in either direction, once only, and return easily under spring pressure. From inside the door the bolt can be freely locked and unlocked using the knob. From outside the code is required both to lock and to unlock the bolt. If you would like to be able to **LOCK** your door from outside **WITHOUT** using the code then follow instruction 2.

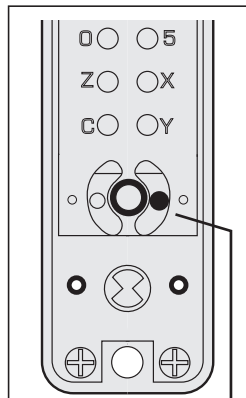
- If you intend to change the code then, if it is convenient, you should do it before installing the lock. See the code change instructions in the separate leaflet.
- Note that the lock is supplied as standard with a bolt which projects 40mm from the side of the lock. A shorter bolt which projects 20mm is available.

1 CHECK THE HAND OF YOUR DOOR

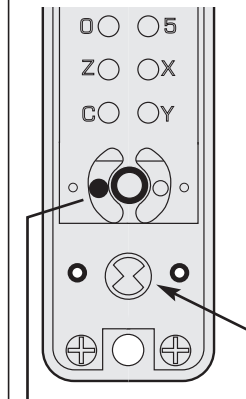


- Your door is right-handed if, viewed from outside, the hinges are on the right.

2 OUTSIDE KNOB LOCKING ACTION



Leave this pin for left handed doors



Leave this pin for right handed doors

To enable LOCKING of the bolt from outside WITHOUT using the code:

- Press the C button to reset the chamber and place the lock case on a flat surface with the buttons down.
- Remove the code chamber plate held in place with the two red screws.
- With the tweezers remove the right-hand pin for right-handed doors, or the left-hand pin for left-handed doors.
- Replace the cover plate.
- The outside knob will now feel loose and turn freely in one direction, and will require the code to be used before it will turn in the other direction.

NB When installing the lock make sure that the driver is in the correct position before installing the spindle.