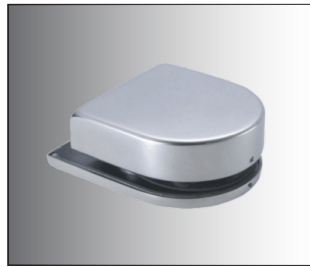




**CL4000GD**

**Electronic Patch Door Lock**

Medium-duty stainless steel latchbolt head with 8mm (5/16") follower. Outside lever turns freely without operating the latchbolt. When a valid code is entered and the Blue LED lights up, the lever will retract the latchbolt. When the door closes the spring latch will automatically lock the door. The key will open the door for management functions. The key may be used to set the lock into Code Free mode so that anyone can open the door without using a code (classroom function tailpiece required). Code Free mode can also be programmed at the keypad using the Master Code.



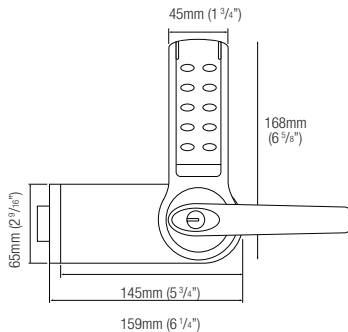
**Strike Box**

Sold separately. As standard the CL4000GD is supplied with a flat strike plate for fitting to solid door frames. When fitting to a glass door with a glass side panel you will need to buy the patch strike box. This is available to purchase as a separate spare product.

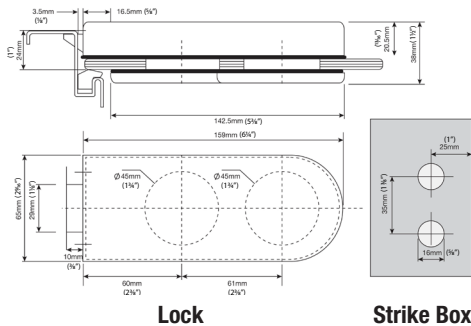
For further product model options see price list.

**PRODUCT DIMENSIONS**

**CL4000GD**



**Electronic Patch Door Lock with Patch Strike Template**



**Lock**

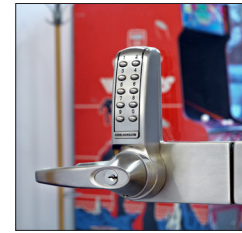
**Strike Box**

\*Codelocks electronic locks offer a two year guarantee and will be repaired, serviced or replaced free of charge if they develop a manufacturing fault. Faults caused by misuse, abuse and/or poor fitting are not covered by the guarantees.



**Code Change Method**

Set via keypad using Master Code



**Code Free Mode**

Set via keypad or key

**TECHNICAL SPECIFICATIONS**

Options	One available
Operations	140,000 per set of batteries
Batteries	4 x 'N' Cells
Low Battery Warning	Red LED will flash on opening to indicate batteries need to be changed
Memory	Stores 80 different User Codes
Spindle Type	8mm (5/16") spindle
Material	Zinc Alloy
Door Thickness	8mm – 15mm (5/16" – 10/16")
Buttons	Individual stainless steel buttons
Handed	Lever handle supplied as either right hand (RH) or left hand (LH) versions, inswing doors only
Fitting Options	Vertical
Finish	PVD (Physical Vapour Deposition) hardwearing low maintenance finishes BS (brushed steel)
Keyed Alike	Supplied Keyed Alike on request
Key Override	As standard
Codes	4, 5 or 6 digit codes giving a maximum of 1,000,000 unique codes
Storeroom Function	Fitted as standard i.e. latch can be retracted by key when turned
Classroom Function	Tailpiece supplied to allow (when fitted) lock to be left in Code Free Mode when key is removed
Suitable for	Internal use